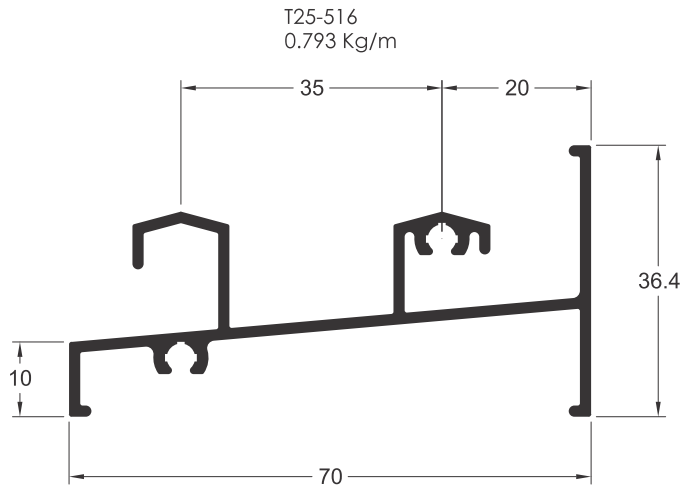


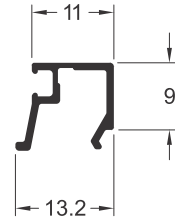
Tecnoperfil

INDÚSTRIA CONSTRUÇÃO CIVIL

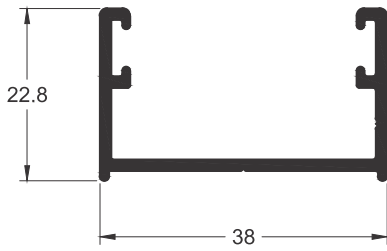
CATÁLOGO DE PERFIS



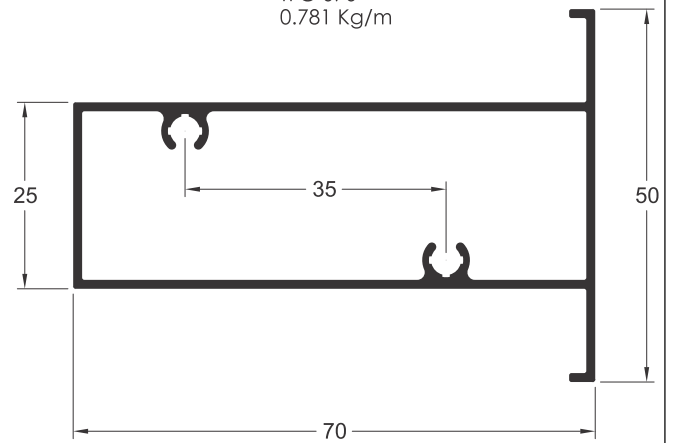
TBG-001
0.102 Kg/m



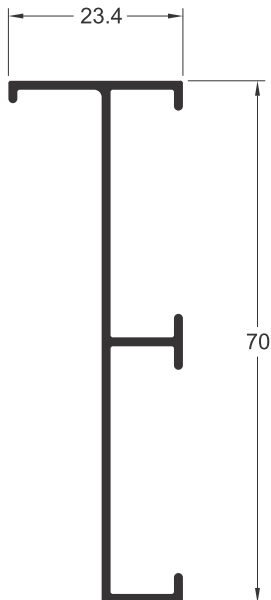
TME - 024
0.375 Kg/m



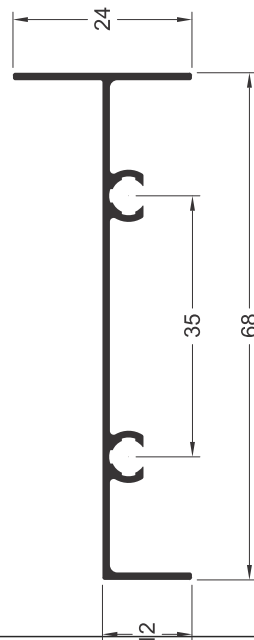
TFC-070
0.781 Kg/m



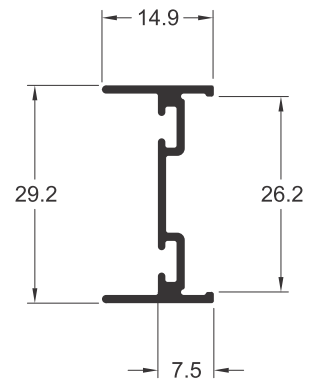
T25-514
0.406 Kg/m



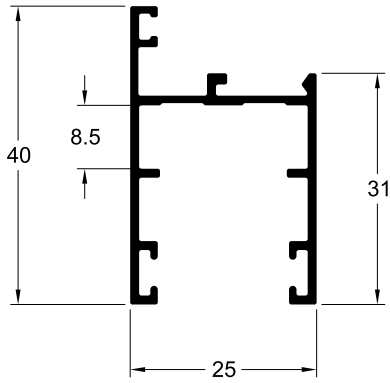
45-157B
0.340 Kg/m



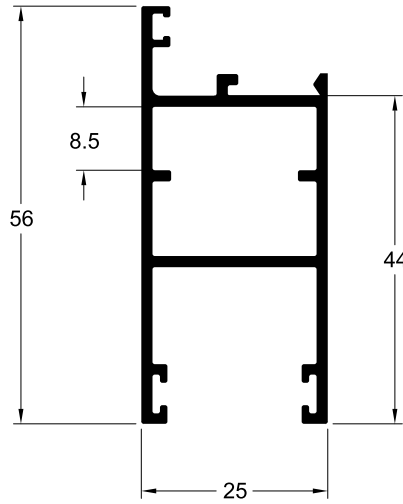
T25-021
0.220 Kg/m



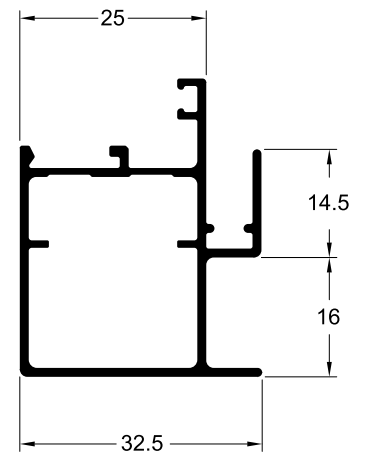
T25-011
0.398 Kg/m



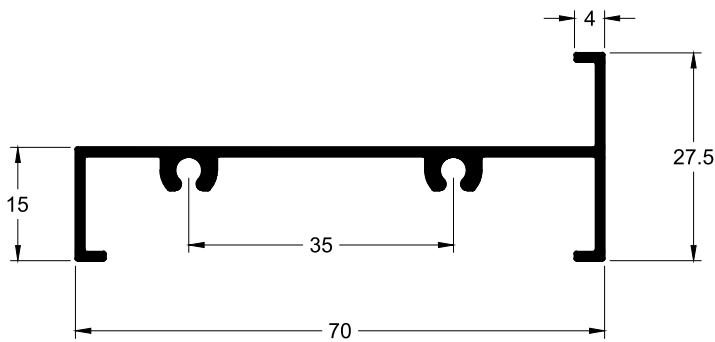
T25-502
0.694 Kg/m



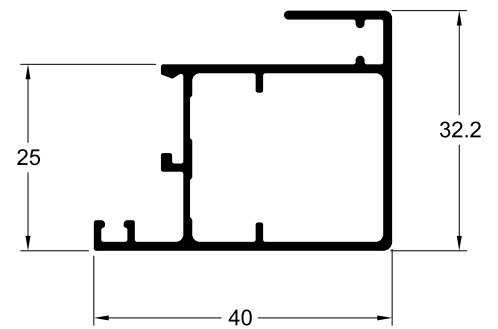
T25-015
0.519 Kg/m



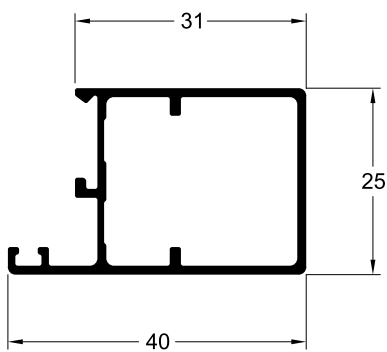
T25-517
0.493 Kg/m



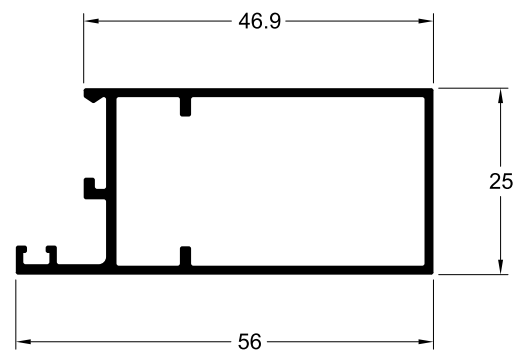
T25-014
0.493 Kg/m



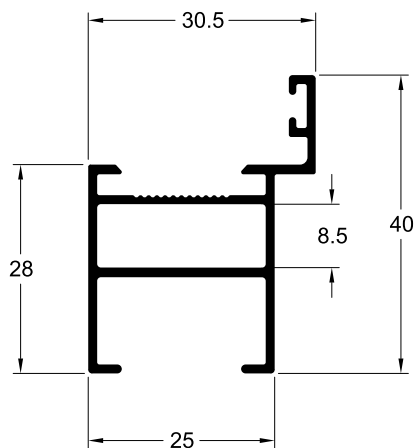
T25-016
0.424 Kg/m



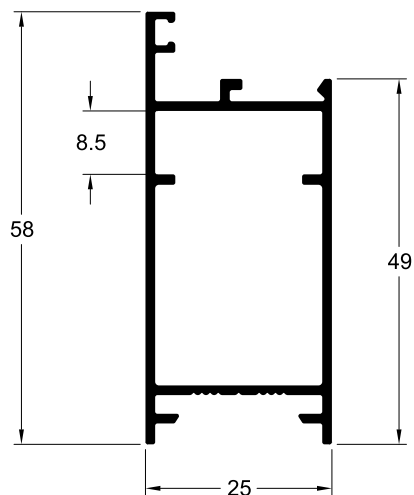
T25-504
0.558 Kg/m



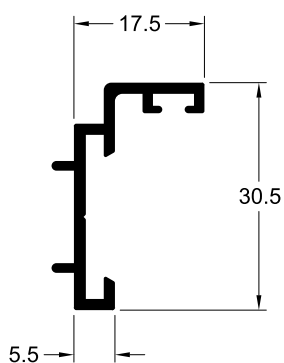
T25-540
0.453 Kg/m



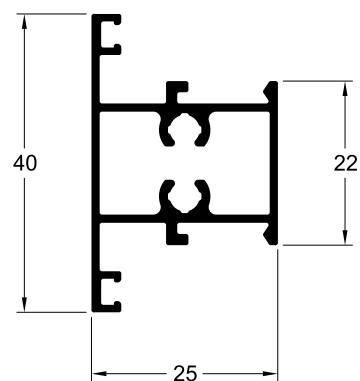
T25-542
0.609 Kg/m



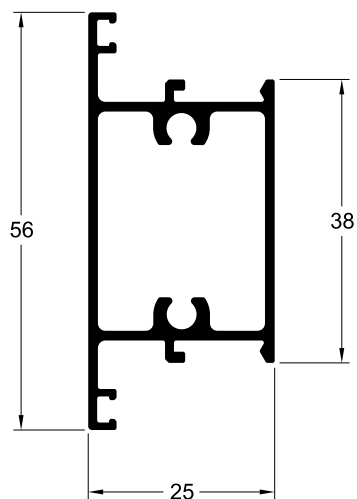
T25-548
0.278 Kg/m



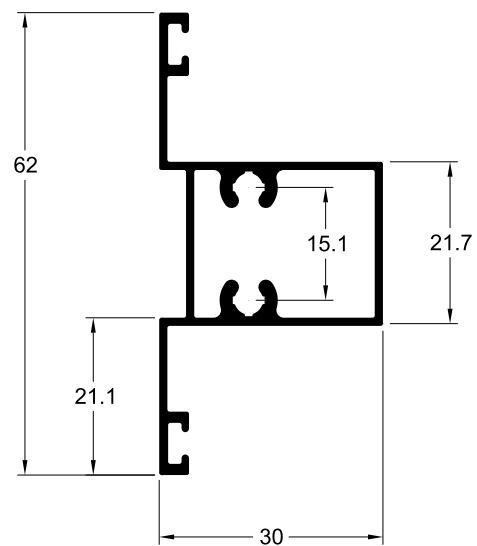
T25-026
0.494 Kg/m



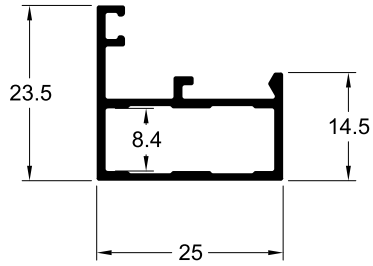
T25-508
0.665 Kg/m



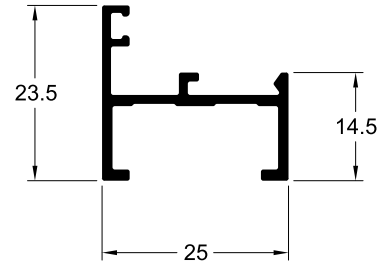
T25-669
0.598 Kg/m



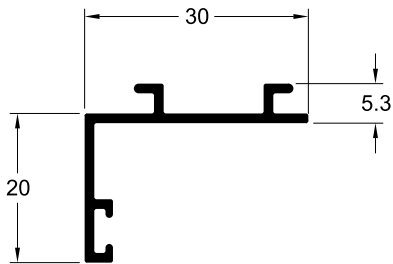
T25-001
0.298 Kg/m



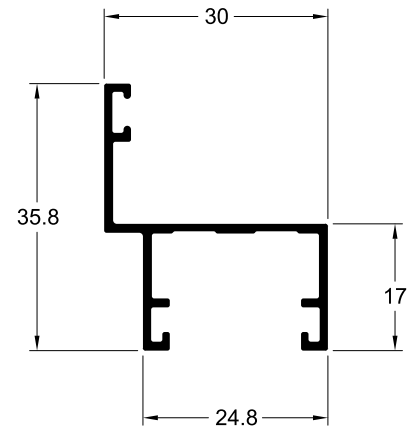
T25-027
0.269 Kg/m



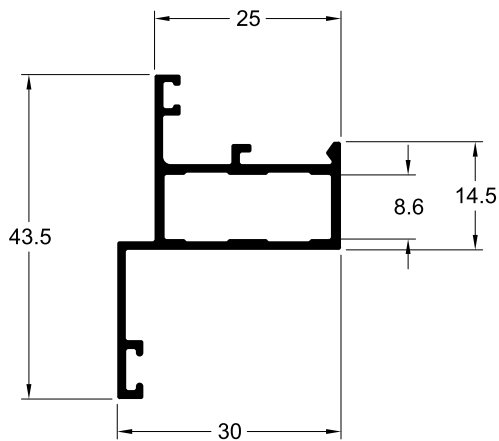
T25-020
0.241 Kg/m



T25-002
0.313 Kg/m



T25-005
0.419 Kg/m



T25-018
0.405 Kg/m

